

# PULSAFEEDER

## STANDARD CHEMICAL FEED SYSTEMS

### DOSING AND CONTROL

- Sodium Hypochlorite
- Dechlorination
- pH Control (Acid / Caustic)
- Corrosion Inhibitors
- Scale Inhibitors
- Biocides

### KEY FEATURES

- Duty / Stand-by Configuration
- HOA operation with VFD motor control
- Available pipe materials: PVC, CPVC, PVDF, or 316SS
- HDPE frame
- HDPE base with drip edge
- Performance tested
- Complete drawing package

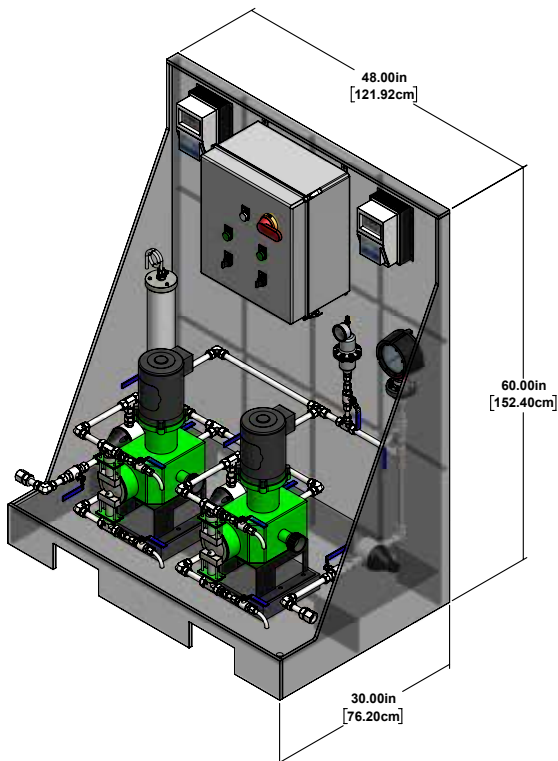


*Pulsafeeder standard chemical feed pump systems are designed for virtually every chemical dosing application. Each system is configured with Pulsafeeder diaphragm pumps and typical accessories in materials to fit the specific application. The unit is pre-assembled and tested for quick installation and easy start-up. Customized configurations are available for feed verification, automatic pump switch-over, and the addition of integrated controllers or timers.*

## SYSTEMS INCLUDE

- NPT ball valves on inlet (TP-01) and outlet (TP-02) process connections
- Strainer on suction header
- Suction (TP-04) and discharge drain valves
- System bleed valves (TP-05)
- Isolation valve (TP-03)
- Discharge pressure gauges
- Calibration column
- Pulsation dampener
- Back pressure valve
- Pressure relief valves
- Individual pump VFD's
- NEMA 4X FRP control panel enclosure
- HOA switches, run lights and main disconnect

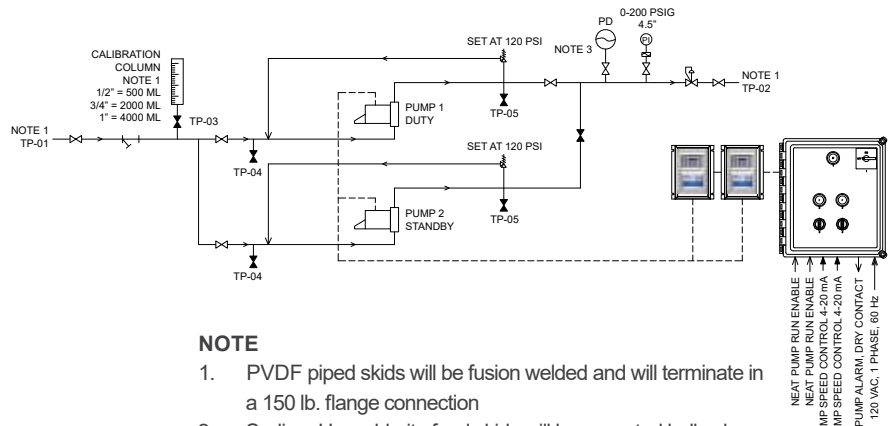
## DIMENSIONS



## SPECIFICATIONS

| Pipe Diameter | Flow Range                         | Pressure Range            |
|---------------|------------------------------------|---------------------------|
| 1/2"          | 0.58 - 40 gph (2.20 - 151.42 lph)  | up to 5,100 psi (350 bar) |
| 3/4"          | 41 - 75 gph (155.20 - 283.91 lph)  |                           |
| 1"            | 76 - 150 gph (287.69 - 567.81 lph) |                           |

## P&ID



### NOTE

1. PVDF piped skids will be fusion welded and will terminate in a 150 lb. flange connection
2. Sodium Hypochlorite feed skids will have vented ball valves
3. Pulsation dampener not required with rotary pump

**PULSAFEEDER**<sup>®</sup>  
ENGINEERED PRODUCTS

Pulsafeeder, Inc.  
2883 Brighton Henrietta Town Line Rd.  
Rochester, NY 14623  
Phone: +1 (585) 292-8000  
pulsa@idexcorp.com • pulsa.com

Pulsafeeder is an ISO 9001:2008 certified company.

© Copyright 2017 Pulsafeeder.  
All rights reserved.

diapsystems pec\_Rev0717