

# **PULSAFEEDER**<sup>®</sup> ENGINEERED PRODUCTS

## 7440

## PULSA Series<sup>®</sup>

Our time proven PULSA Series<sup>®</sup> 7440 is a leak-free, hydraulically balanced diaphragm metering pump. It is engineered for precise dosing and long-term dependability to deliver superior value. Our flat diaphragm or unique HYDRAtube<sup>®</sup> head design, along with a variety of wet end materials, offers a diverse range of fluid handling solutions. The PULSA Series 7440 is commonly used for applications in industries such as chemical processing, petrochemical, oil & gas, water & wastewater treatment, and power.



### Applications

corrosion inhibitors, anti-scalants, slurries, disinfection, pH and odor control



### Flow

up to 440 gph (1666 lph)



### Pressure

up to 3200 psi (221 bar)

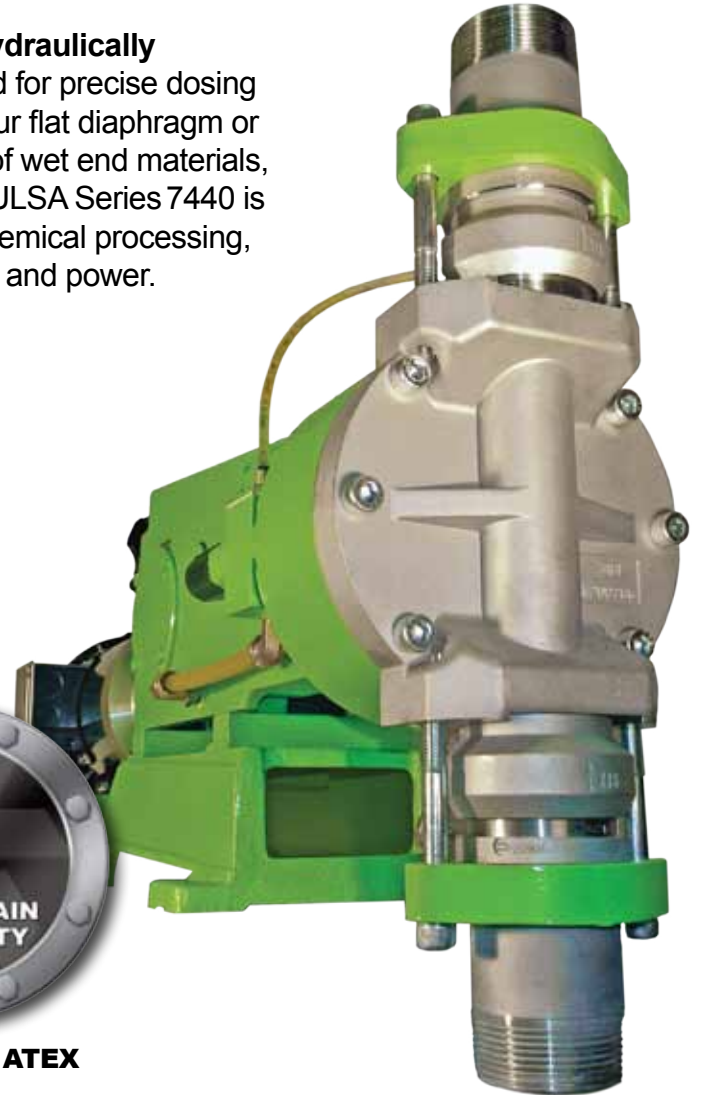


### Temperature

up to 180°F (82°C)



API-675 • CE • ATEX



## Hydraulic diaphragm metering delivers more than you expect.

### Standard materials of construction

- Wet end: 316LSS, GF-PTFE, PVC
- Diaphragm: PTFE
- Pump body: Cast Iron
- Valve ball: 316LSS, Alumina Ceramic
- Valve gaskets: PTFE

### Connection types

- NPT
- Raised-face Flange

### Controls

- PULSAmatic<sup>®</sup> - stroke length
  - NEMA Type 4X & Type 7
- VFD - motor speed

### Leak detection

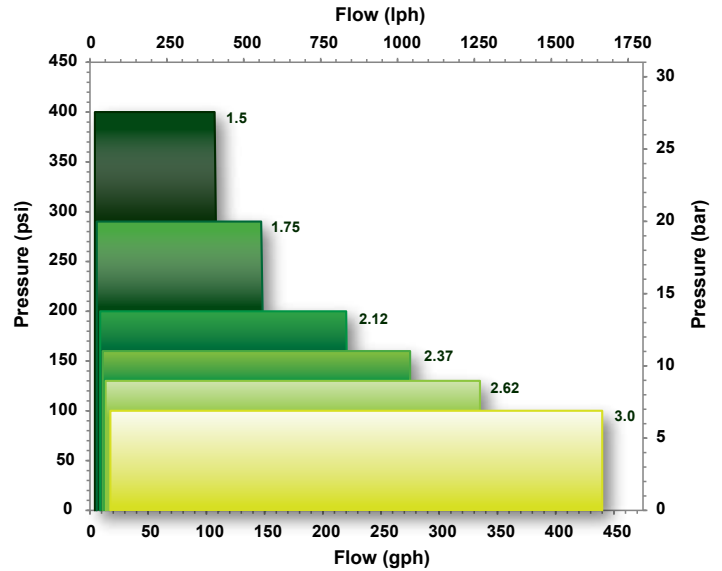
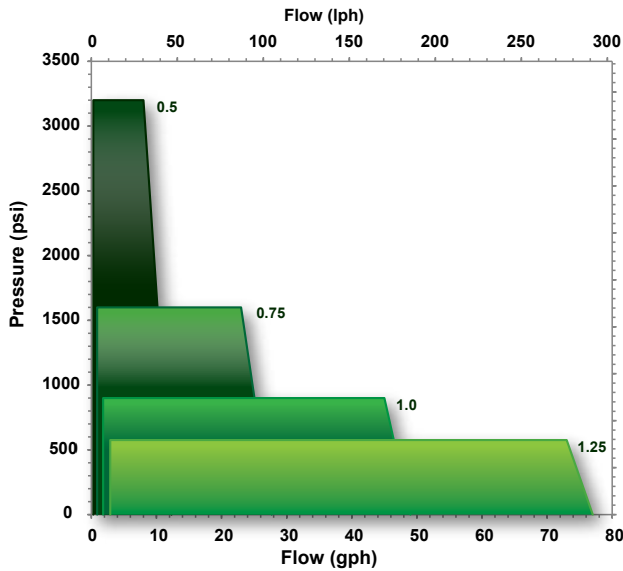
- PULSAAlarm<sup>®</sup>
  - Pressure based
  - IP66 NEMA Type 7/4X

### Duplex configurations

### HYDRAtube<sup>®</sup> design

- The solution for sheer sensitive and high viscosity fluids
- Straight flow-through path
- Double diaphragm safety
- Optional slurry valves
- Robust Ductile Iron housing
- Elastomeric HYDRAtube
- ChemAlarm<sup>®</sup> leak detection

## Flow & Pressure Envelope by Piston Size (inches)



### Features & Benefits

- Full motion stroke length control yields 0-100% linear flow adjustment over a 10:1 turndown range
- Hydraulically balanced diaphragm for long life and reduced service costs
- Proven hydraulic management system assures consistent performance and rapid recovery from system upsets
- Material options for safety, durability and chemical compatibility
- Epoxy coating resists corrosion from atmospheric contaminants
- Easy maintenance KOPkit® (Keep on Pumping kit) saves time and money

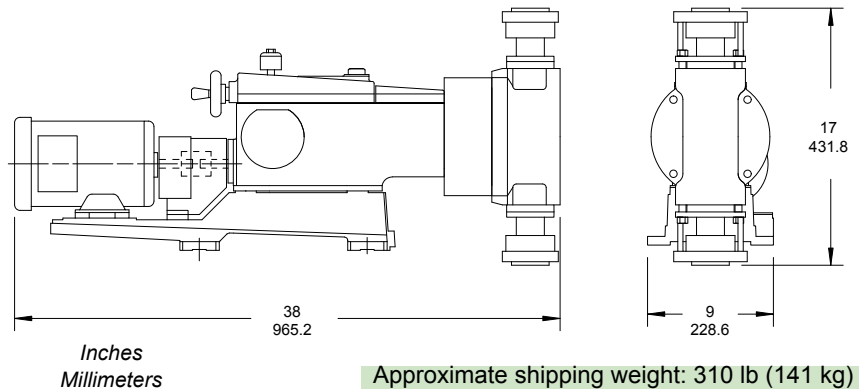
### Custom Engineering

- Compatible materials: Alloy C, Alloy 20, Monel, DuplexSS, Titanium, PVDF
- Extended pressures to 3625 psi / 250 bar
- Extended temperature ranges
  - ♦ From -40°F (-40°C) to 700°F (371°C)
  - ♦ Remote heads and jackets
- Custom electronic controls
- Multiplex configurations
- Pneumatic stroke control
- Degassing valve
- Chemical feed systems
- Application consulting

### Specifications

Materials	316LSS, PVC, GF-PTFE	Max temp	180°F (82°C)
Diaphragm type	Flat, Flat LD, Tube	Min temp	40°F (4.4°C)
Motor power	up to 2 hp (1.5 kW)	Accuracy	±1%
Motor frame	NEMA 56, 143T/145T, IEC 71B3	Standards	API-675, CE, ATEX

### Dimensions



The dimensions shown may differ depending on pump configuration.

**For More Information, Contact Your Authorized Pulsafeeder Engineered Products Representative**



**Pulsafeeder Engineered Products**  
 2883 Brighton Henrietta Town Line Rd.  
 Rochester, NY 14623  
 Phone: +1 (585) 292-8000  
 pulsa@idexcorp.com • [pulsa.com](http://pulsa.com)

Pulsafeeder is an ISO 9001:2008 and 14001:2004 certified company.

© Copyright 2014 Pulsafeeder. All rights reserved.

**Spec Pulsafeeder.**  
**Get more than you expect.**

