

PULSAFEEDER[®] ENGINEERED PRODUCTS

R1

PULSA Series[®]

Our time proven PULSA Series[®] R1 is a leak-free, hydraulically balanced diaphragm metering pump. It is engineered for precise dosing and long-term dependability to deliver superior value. Our unique HYDRAcone[®] head design, along with a variety of wet end materials, offers a diverse range of fluid handling solutions. PULSA Series R1 is commonly used for applications in industries such as petrochemical, water & wastewater treatment, and agriculture.



Applications

corrosion inhibitors, slurries, pH and odor control, fertilizers, pesticides



Flow

up to 25.6 gph (97 lph)



Pressure

1200 psi (83 bar)



Temperature

up to 180°F (82°C)



API-675 • CE • ATEX

Hydraulic diaphragm metering delivers more than you expect.

Standard materials of construction

- Wet end: 316LSS, GF-PPL
- Diaphragm: Elastomeric
- Pump body: Cast Aluminum
- Valve ball: 316LSS, Alumina Ceramic
- Valve gaskets: PTFE

Connection types

- NPT

Controls

- VFD - speed

Engineered Design

- Self-priming
- Vertical mount motor
- Compact
- High performance hydraulics with mechanical refill system
- Weather resistant gear box
- Indefinite dry run operation
- Flooded lubrication for long component life

HYDRAcone[®] design

- The solution for difficult suction lift conditions
- Ideal for sheer sensitive and high viscosity fluids
- Outstanding hydraulic performance
- Straight flow-through path
- Optional slurry valves
- Head: 316LSS, GF-PPL
- Elastomeric HYDRAcone

Specifications

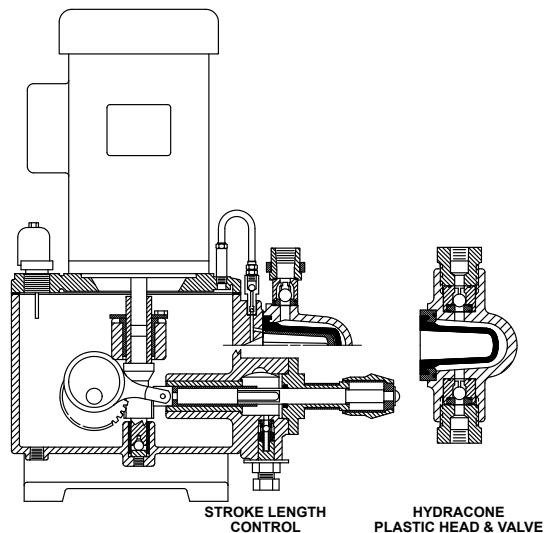
Materials	316LSS, GF-PPL
Diaphragm type	Cone
Motor power	up to 0.25 hp (0.18 kW)
Motor frame	NEMA 56C, IEC 71B14
Max temp	180°F (82°C)
Min temp	40°F (4.4°C)
Accuracy	±1%
Turndown	10:1
Standards	API-675, CE, ATEX

Features & Benefits

- Full motion hydraulic bypass stroke length control yields 0-100% linear flow adjustment over a 10:1 turndown range
- Hydraulically balanced diaphragm for long life and reduced service costs
- HYDRAcone® provides outstanding suction lift
- Proven hydraulic bypass management system assures performance and rapid recovery from system upsets
- Material options for safety, durability and chemical compatibility
- Easy maintenance KOPkit® (Keep on Pumping kit) saves time and money

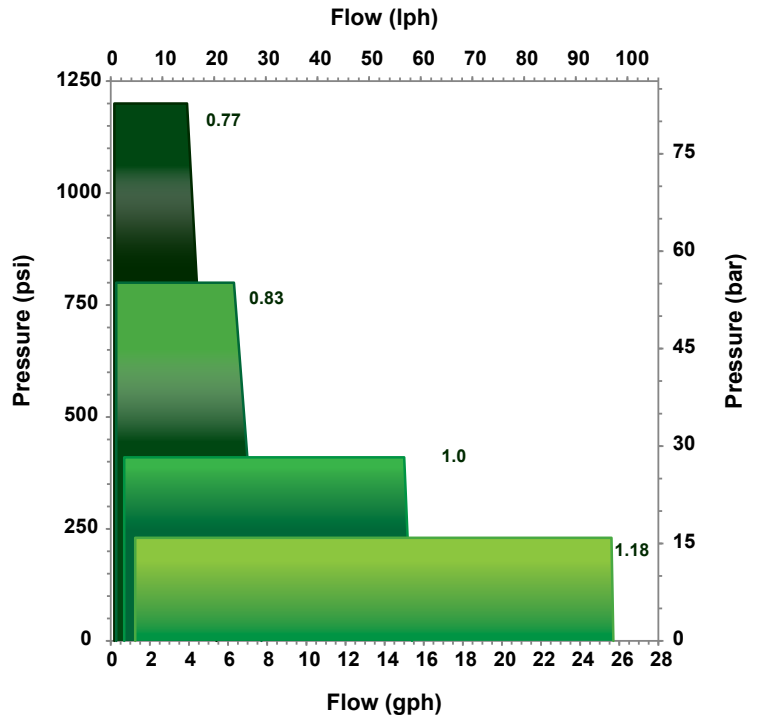
Custom Engineering

- Compatible materials: Alloy C, Alloy 20, Monel, DuplexSS
- Degassing valve
- Chemical feed systems
- Application consulting

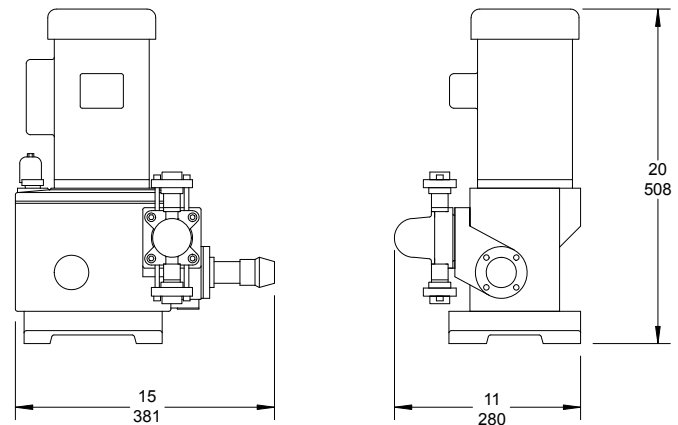


Spec Pulsafeeder.
Get more than you expect.

Flow & Pressure Envelope by Piston Size (inches)



Dimensions



Inches
Millimeters

Approximate shipping weight: 85 lb (39 kg)

The dimensions shown may differ depending on pump configuration.

For More Information, Contact Your Authorized Pulsafeeder Engineered Products Representative



Pulsafeeder Engineered Products
2883 Brighton Henrietta Town Line Rd.
Rochester, NY 14623
Phone: +1 (585) 292-8000
pulsa@idexcorp.com • pulsa.com

Pulsafeeder is an ISO 9001:2008 and 14001:2004 certified company.

© Copyright 2014 Pulsafeeder. All rights reserved.

