

PULSAPRO® 7120

HYDRAULIC DIAPHRAGM METERING PUMP

PULSAPRO® 7120 is a positive displacement, leak-free, hydraulically balanced diaphragm metering pump. It is engineered for precise dosing and long-term dependability to deliver superior value. Pulsafeeder offers a diverse range of fluid handling solutions with unique pump head designs consisting of HYDRAtube®, or flat diaphragm types, each available in a variety of wet-end materials. The pump features exclusive hydraulic diagnostics that provide immediate visual intelligence about pump and system performance.

The PULSAPRO 7120 is designed to the API-675 standard for use in oil & gas, petrochemical, chemical processing, power generation, and water & wastewater treatment industries.



Applications

corrosion inhibitors, anti-scalants, slurries, sodium hypochlorite injection, disinfection, pH and odor control



Flow

up to 257 gph (973 lph)



Pressure

up to 5,100 psi (350 bar)



Temperature

up to 275°F (135°C)



API-675, CE, ATEX

Standard materials of construction

- Wet end: 316LSS, GF-PTFE, PVC
- Diaphragm: PTFE, 316LSS
- Pump body: Cast Iron
- Valve ball: 316LSS, Alumina Ceramic
- Valve gaskets: PTFE
- Valve seat: 316LSS, PVC

Connection types

- NPT or BSPT
- Raised-face Flange

Controls

- Manual stroke length control
- Electronic stroke length control

Leak detection

- PULSAlarm®
 - Pressure based
 - IP66, NEMA Type 4X, NEMA TYPE 7

Multiplex configurations

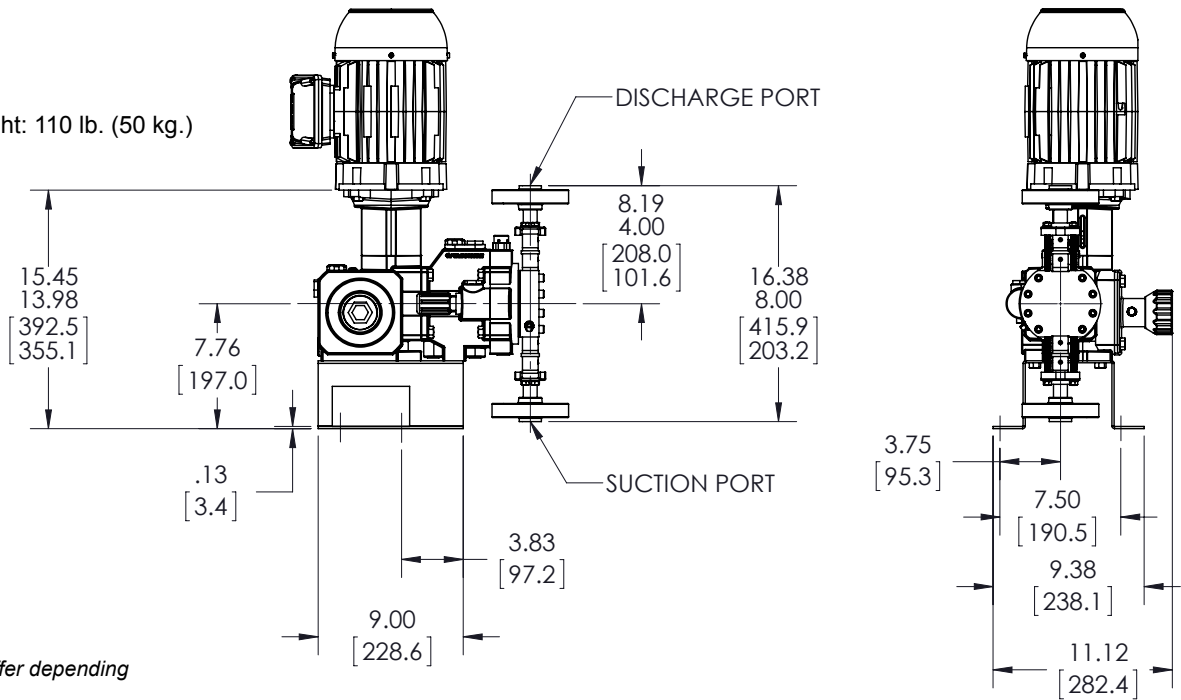
- Up to 17 pumps

• HYDRAtube design

- The solution for sheer sensitive and high viscosity fluids
- Straight flow-through path
- Double diaphragm safety
- Optional slurry valves
- Robust Ductile Iron housing
- Elastomeric HYDRAtube
- ChemAlarm® leak detection

DIMENSIONS

Approximate shipping weight: 110 lb. (50 kg.)



Inches
[Millimeters]

The dimensions given may differ depending on pump configuration.

FEATURES & BENEFITS

- Patented hydraulic diagnostic window yields instant visual indication of system over-pressurization, entrained air in hydraulic fluid and diaphragm integrity
- Hydraulic Performance Valve maintains optimum diaphragm position and allows low suction NPIP of 3 psi (0.2 bar)
- Push-to-prime valve allows quick manual priming of the hydraulic system in addition to automatic air bleeding
- Four bolt tie bar design provides ultimate resistance to piping moments and forces
- Three component check valves for controlled fluid displacement, assuring reliable hydraulic operation
- Externally adjustable hydraulic by-pass valve protects against over-pressurization
- Manual stroke length adjustment with resolution of 0.5% for set point accuracy

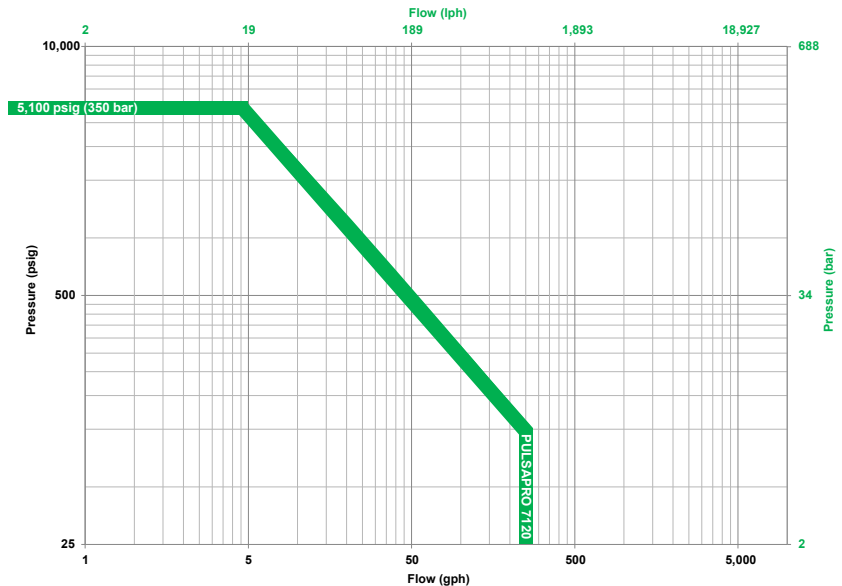
CUSTOM ENGINEERING

- Compatible materials: Alloy C, Alloy 20, Monel®, DuplexSS, Titanium, PVDF
- Minimum temperature to -10°F (-23°C)
- Manual Degass Valve
- Chemical feed systems
- Application consulting

SPECIFICATIONS

Materials	316LSS, PVC	Max temp	250°F (121°C)
Diaphragm type	Flat, Tube	Min temp	40°F (4.4°C)
Motor power	up to 1.5 hp (1.1 kW)	Accuracy	±0.5%
Motor frame	NEMA 56C, 143/5TC IEC 71B14, 80B14, 90B14	Standards	API-675, CE, ATEX

FLOW & PRESSURE ENVELOPE



Pulsafeeder, Inc.
2883 Brighton Henrietta Town Line Rd.
Rochester, NY 14623
Phone: +1 (585) 292-8000
pulsa@idexcorp.com • pulsa.com

Pulsafeeder is an ISO 9001:2008 certified company.

© Copyright 2016 Pulsafeeder.
All rights reserved.
Monel® is a registered trademark of
Special Metals Corporation
pulsa7120spec_Rev1116