

# PULSAFEEDER

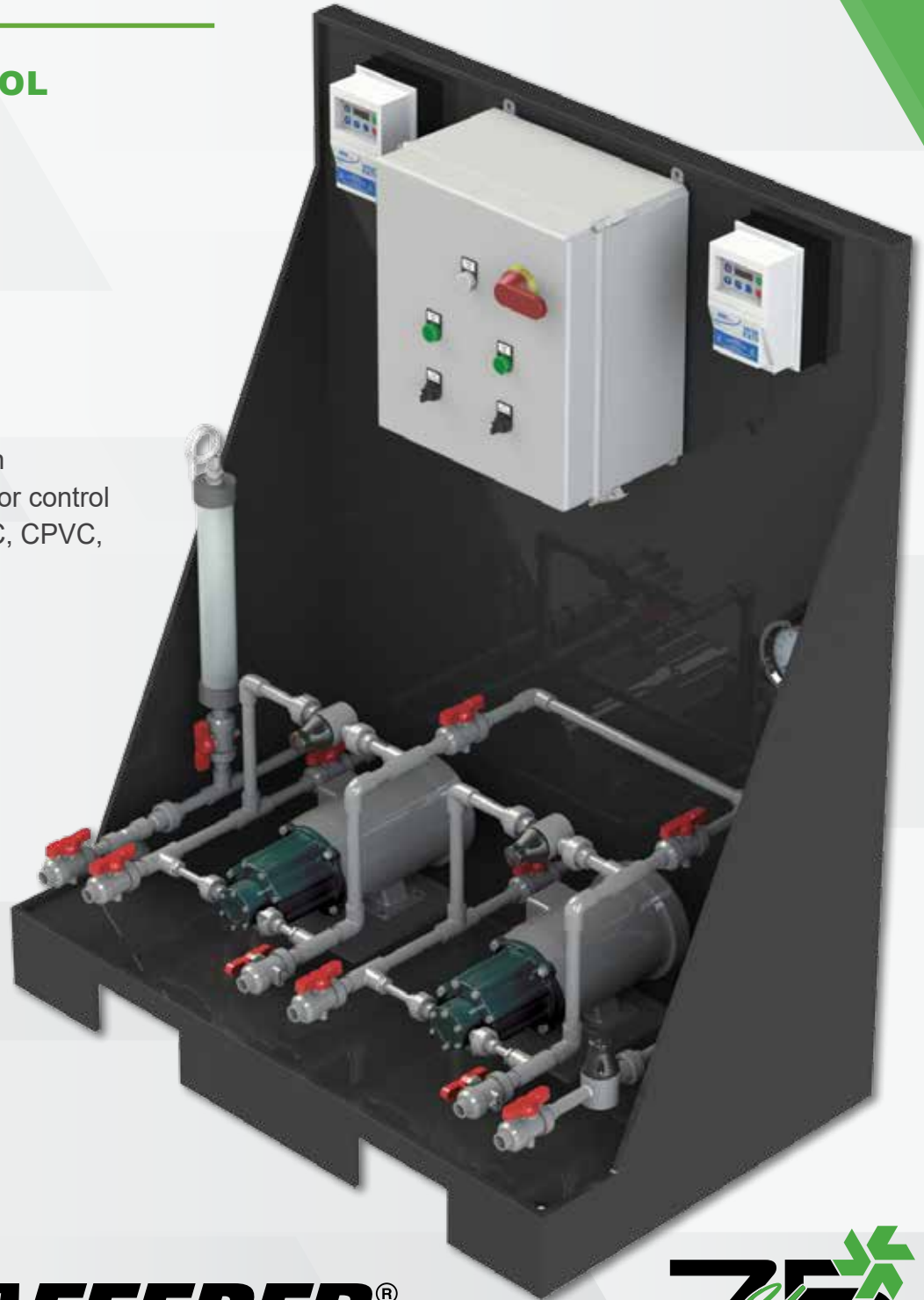
## STANDARD CHEMICAL FEED SYSTEMS

### DOSING AND CONTROL

- Sodium Hypochlorite
- Dechlorination
- pH Control (Acid / Caustic)
- Corrosion Inhibitors
- Scale Inhibitors
- Biocides

### KEY FEATURES

- Duty / Stand-by Configuration
- HOA operation with VFD motor control
- Available pipe materials: PVC, CPVC, PVDF, or 316SS
- HDPE frame
- HDPE base with drip edge
- Performance tested
- Complete drawing package

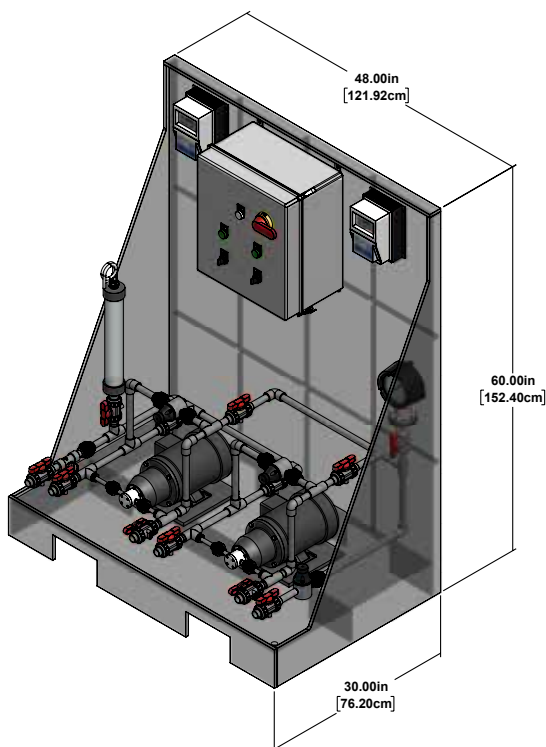


*Pulsafeeder standard chemical feed pump systems are designed for virtually every chemical dosing application. Each system is configured with Pulsafeeder Eclipse pumps and typical accessories in materials to fit the specific application. The unit is pre-assembled and tested for quick installation and easy start-up. Customized configurations are available for feed verification, automatic pump switch-over, and the addition of integrated controllers or timers.*

## SYSTEMS INCLUDE

- NPT ball valves on inlet (TP-01) and outlet (TP-02) process connections
- Strainer on suction header
- Suction (TP-04) and discharge drain valves
- System bleed valves (TP-05)
- Isolation valve (TP-03)
- Discharge pressure gauges
- Calibration column
- Back pressure valve
- Pressure relief valves
- Individual pump VFD's
- NEMA 4X FRP control panel enclosure
- HOA switches, run lights and main disconnect

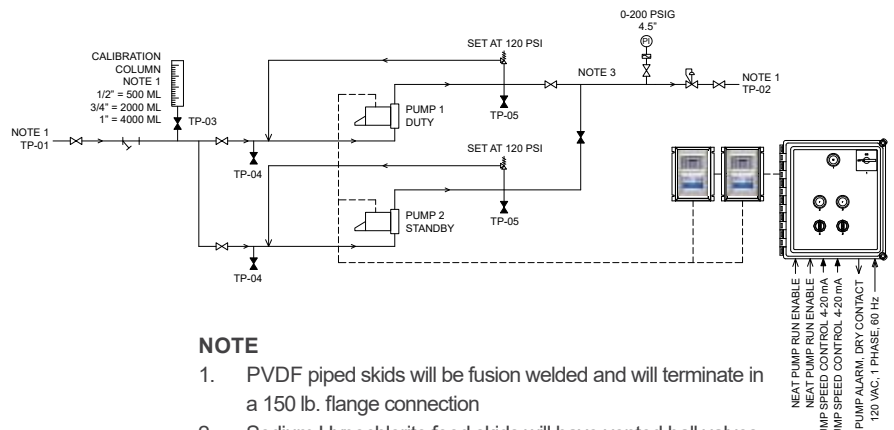
## DIMENSIONAL



## SPECIFICATIONS

Pipe Diameter	Flow Range	Pressure Range
1/2"	1 - 6 gpm (4.5 - 27.3 lpm)	Differential Pressure up to 150 psi (10.3 bar)  Working Pressure up to 300 psi (20.7 bar)
3/4"	6 - 12 gpm (27.3 - 54.6 lpm)	
1"	12 - 33 gpm (54.6 - 150.0 lpm)	

## P&ID



### NOTE

1. PVDF piped skids will be fusion welded and will terminate in a 150 lb. flange connection
2. Sodium Hypochlorite feed skids will have vented ball valves
3. Pulsation dampener not required with rotary pump



**Pulsafeeder, Inc.**  
 2883 Brighton Henrietta Town Line Rd.  
 Rochester, NY 14623  
 Phone: +1 (585) 292-8000  
 pulsa@idexcorp.com • [pulsa.com](http://pulsa.com)

*Pulsafeeder is an ISO 9001:2008 certified company.*

© Copyright 2017 Pulsafeeder.  
 All rights reserved.

rotasystemspeg\_Rev0717