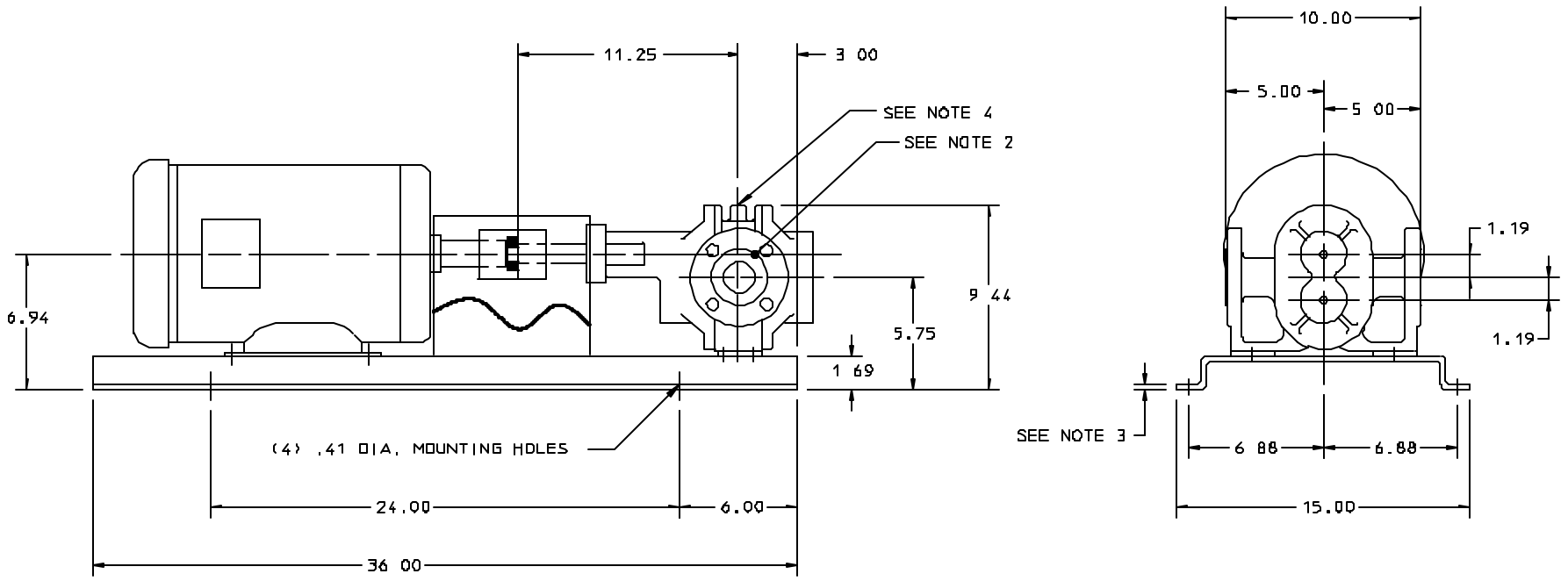


/A/ UPDATE DRAWING
 REF REVISION UPDATE
 08/29/95 DATE
 MOTOR FRAME SIZE: 213-215T SCALE 1/6

DWN BY FEW
 DATE: 08/29/95
 SD-2672

ALL DIMENSIONS ARE IN INCHES
ECO
PILSBERRY
 A Unit of DEX Corporation
 DIMENSIONAL DRAWING
 GA12 WITH BASE



- NOTES:
- SUCTION AND DISCHARGE PORTS ARE DEPENDENT UPON PUMP SHAFT ROTATION.
 - BOTH PORTS ARE:
 1.50 -150 LB RF FLANGE
 WITH (4) .62 DIA BOLT
 HOLES EQUALLY SPACED
 ON A 3.88 DIA BOLT CIRCLE.
 - MATERIAL THICKNESS:
 STEEL .25 THICK
 STAINLESS STEEL .19 THICK
 - VENT PLUG (.12 NPT) OPTIONAL.