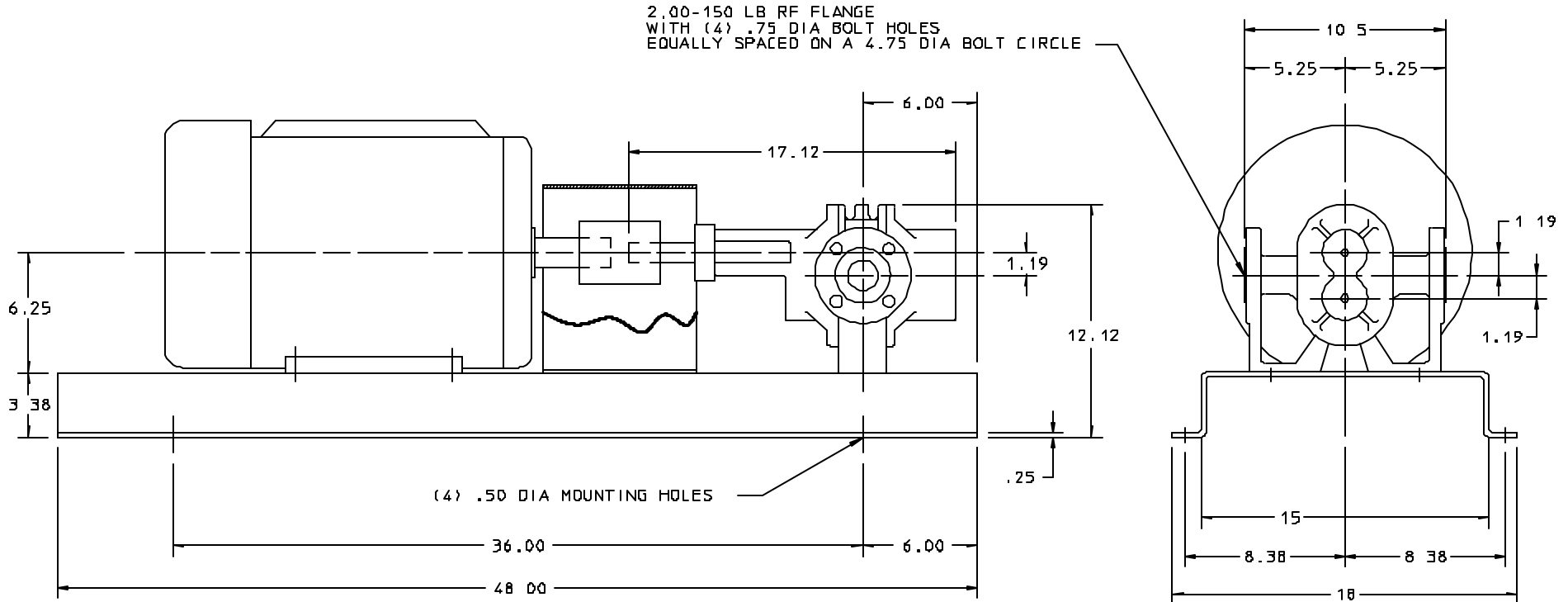


REF	A
REVISION UPDATE	
DATE	
MOTOR FRAME SIZE:	254-6T
SCALE:	1.6
DWN BY	KRY
DATE:	07/07/99
	SD-2910



NOTES:

1. SUCTION AND DISCHARGE PORTS ARE DEPENDENT UPON PUMP SHAFT ROTATION
2. VENT PLUG 1/8" NPT OPTIONAL

ALL DIMENSIONS ARE IN INCHES

**ECO**

**SPRINT**  
A Unit of DEK Corporation

DIMENSIONAL DRAWING  
GA16 WITH BASE