

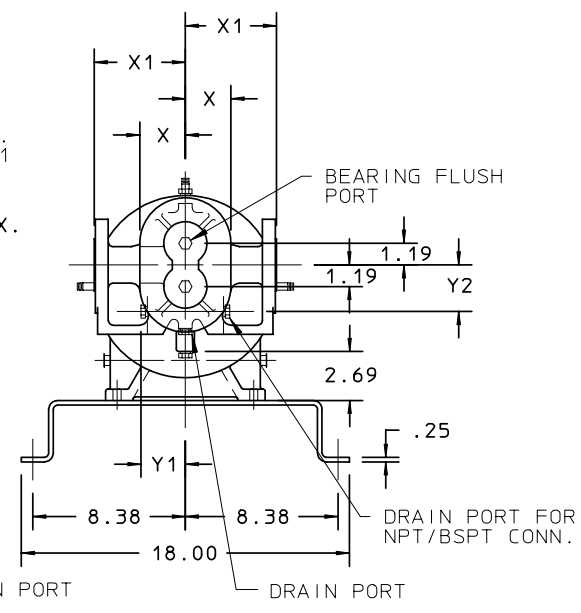
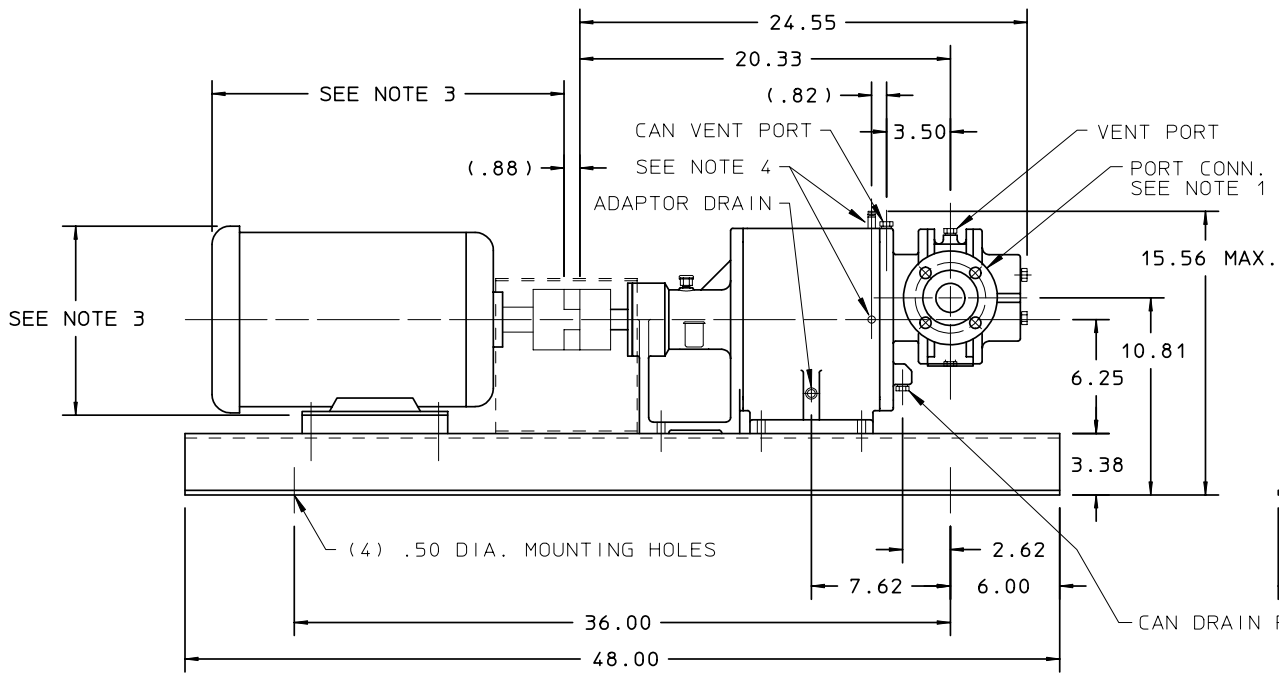
REF A
 REVISE BASE MOUNTING HOLES
 REVISION UPDATE
 10/08/97
 DATE

SECTION/PAGE
 EFFECTIVE
 SUPERSEDES
 04/01/98
 04/04/94

DWN BY: CLA
 DATE: 09/21/93
 SD-2791

MODEL GM12/305
 GM12 PUMP MOUNTED
 METRIC INPUT SHAFT

Ischem
 A Unit of IDEX Corporation
Pumps & Actuators



PUMP END VIEW

PUMP SERIES	PORT CONNECTION	X	DIMENSIONS		
			X1	Y1	Y2
GM12	1.50 NPT OR BSPT	2.50	----	2.56	2.44
	1.50-150# RF FLANGE	----	5.00	----	----

NOTE:

- 1.) SUCTION AND DISCHARGE PORTS DEPENDENT ON DIRECTION OF ROTATION.
- 2.) ALL STANDARD AND OPTIONAL PIPE PLUGS ARE (1/4" N.P.T.).
- 3.) MOTOR DIMENSIONS VARY BY MANUFACTURER. CONSULT MANUFACTURERS DRAWING FOR SPECIFICS. BASE WILL ACCOMMODATE MOTOR FRAME SIZES, 112M, 132S.
- 4.) (2) 1/8" NPT PIPE CONNECTION PORTS ARE STANDARD WITH DOUBLE CAN OPTION. STANDARD ASSEMBLY IS LEFT/TOP CONNECTION PORT ORIENTATION WHEN VIEWED FROM PUMP END. CUSTOMER TO SPECIFY WHEN RIGHT/TOP CONNECTION PORT ORIENTATION IS REQUIRED.

ALL DIMENSIONS ARE IN INCHES