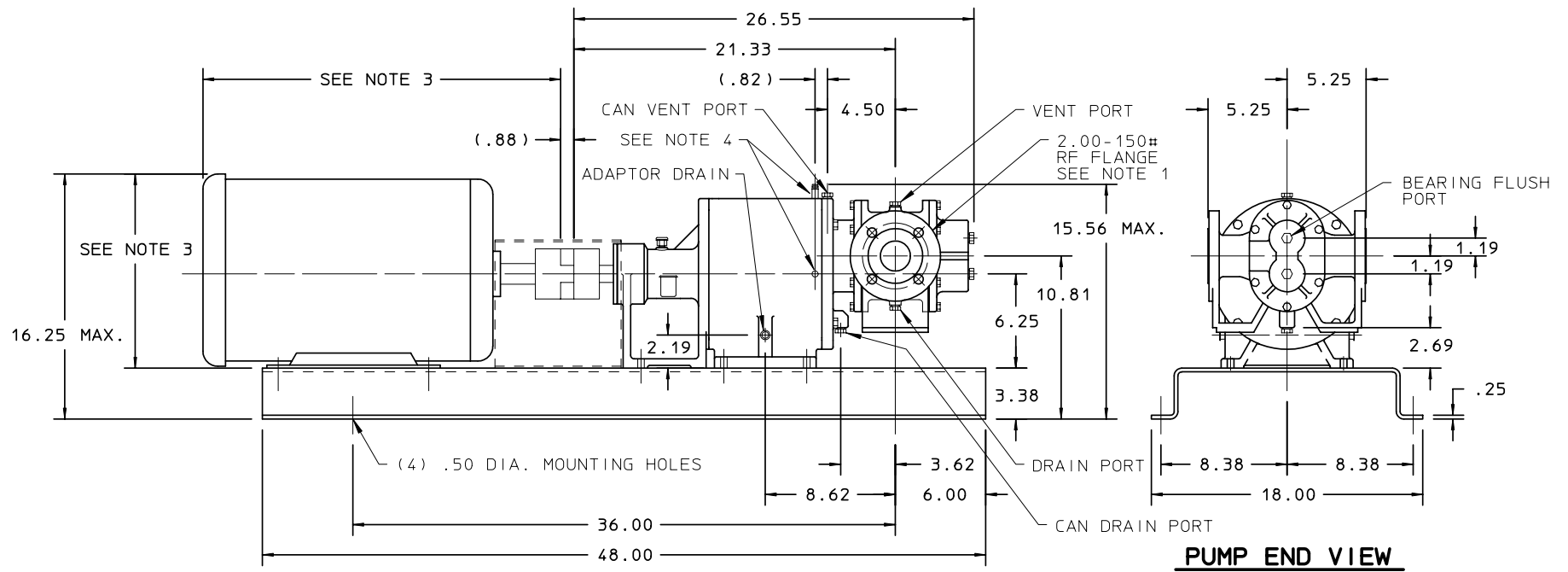


REF A
 REVISE BASE MOUNTING HOLES
 REVISION UPDATE
 09/04/97
 DATE

SECTION/PAGE
 EFFECTIVE
 SUPERSEDES
 MODEL GM16/303
 04/01/98
 04/04/94

ALL DIMENSIONS ARE IN INCHES
Ischem
Pulsafeeder
 A Unit of IDEX Corporation
 DIMENSIONAL DRAWING
 GM16 PUMP MOUNTED
 DWN BY: CLA
 DATE: 04/04/94
SD-2783



NOTE:

- 1.) SUCTION AND DISCHARGE PORTS DEPENDENT ON DIRECTION OF ROTATION.
- 2.) ALL STANDARD AND OPTIONAL PIPE PLUGS ARE (1/4" N.P.T.).
- 3.) MOTOR DIMENSIONS VARY BY MANUFACTURER, CONSULT MANUFACTURERS DRAWING FOR SPECIFICS. BASE WILL ACCOMMODATE MOTOR FRAME SIZES; 182T, 184T, 213T, 215T, 254T AND 256T.
3. (2) 1/8" NPT PIPE CONNECTION PORTS ARE STANDARD WITH DOUBLE CAN OPTION. STANDARD ASSEMBLY IS LEFT/TOP CONNECTION PORT ORIENTATION WHEN VIEWED FROM PUMP END. CUSTOMER TO SPECIFY WHEN RIGHT/TOP CONNECTION PORT ORIENTATION IS REQUIRED.